

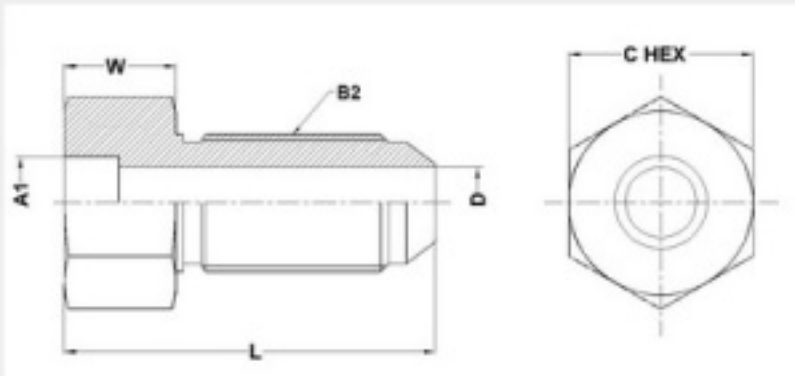
TUBE FITTINGS & ADAPTERS

BORE-MJ BULKHEAD STRAIGHT

0406 SERIES



ORIENT ENGINEERING WORKS



PART NO. SIZE	TUBE O.D.	A1 BORE	B2 THREAD	D DRILL	L LGTH	W WIDTH	C HEX
0406-08-08	1/2	0.506	3/4-16	0.391	1.845	0.375	1.000
0406-12-12	3/4	0.757	1-1/16-12	0.609	2.300	0.500	1.375