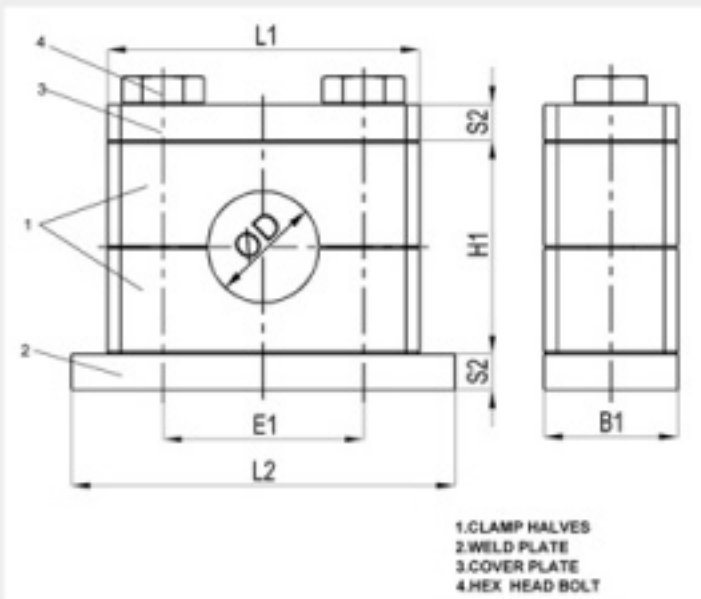


PIPE CLAMPS

PCH - PIPE CLAMPS (HEAVY SERIES)



ORIENT ENGINEERING WORKS



ORDER CODE	GROUP	TUBE OD MM ØD	TUBE NB	TUBE OD INCHES ØD	DIMENSIONS B1	DIMENSIONS E1	DIMENSIONS H1	DIMENSIONS L1	DIMENSIONS L2	DIMENSIONS S2	HEX HEAD BOLT
PCH 6	1	6			30	33	32	55	74	8	M10X45
PCH 6.4	1	6.4			30	33	32	55	74	8	M10X45
PCH 8	1	8		5/16	30	33	32	55	74	8	M10X45
PCH 9.5	1	9.5			30	33	32	55	74	8	M10X45
PCH 10	1	10	G1/8		30	33	32	55	74	8	M10X45
PCH 12	1	12			30	33	32	55	74	8	M10X45
PCH 12.7	1	12.7		1/2	30	33	32	55	74	8	M10X45
PCH 13.5	1	13.5	G1/4		30	33	32	55	74	8	M10X45
PCH 14	1	14			30	33	32	55	74	8	M10X45
PCH 15	1	15			30	33	32	55	74	8	M10X45
PCH 16	1	16		5/8	30	33	32	55	74	8	M10X45
PCH 17.2	1	17.2	G3/8		30	33	32	55	74	8	M10X45
PCH 18	1	18			30	33	32	55	74	8	M10X45
PCH 19	2	19		3/4	30	45	48	70	86	8	M10X80
PCH 20	2	20			30	45	48	70	86	8	M10X80
PCH 21.3	2	21.3	G1/2		30	45	48	70	86	8	M10X80