

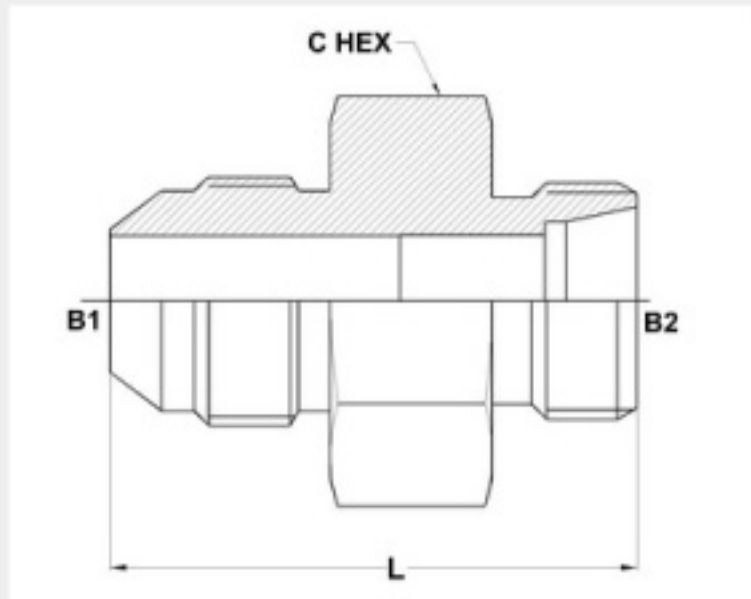
# INTERNATIONAL FITTINGS

## MJ-MM LIGHT METRIC (DUAL PURPOSE)

### 7005-L SERIES



ORIENT ENGINEERING WORKS



PART NO.SIZE	B1 TUBE O.D.	B2 TUBE O.D.	B1 JIC	B2 MM	B1 DRILL	B2 DRILL	L LGTH	C HEX
7005-04-L06-12	1/4	06	7/16-20	M12 x 1.5	4.4	4.0	30.8	12.0
7005-04-L08-14	1/4	08	7/16-20	M14 x 1.5	4.4	6.0	29.0	14.0
7005-06-L08-14	3/8	08	9/16-18	M14 x 1.5	7.5	6.0	31.7	17.0
7005-06-L10-16	3/8	10	9/16-18	M16 x 1.5	7.5	8.0	32.7	17.0
7005-06-L12-18	3/8	12	9/16-18	M18 x 1.5	7.5	10.0	31.1	19.0
7005-08-L10-16	1/2	10	3/4-16	M16 x 1.5	9.9	8.0	35.4	19.0
7005-08-L12-18	1/2	12	3/4-16	M18 x 1.5	9.9	10.0	35.4	19.0
7005-08-L15-22	1/2	15	3/4-16	M22 x 1.5	9.9	12.0	34.7	24.0
7005-10-L15-22	5/8	15	7/8-14	M22 x 1.5	12.3	12.0	40.5	24.0
7005-10-L18-26	5/8	18	7/8-14	M26 x 1.5	12.3	15.0	38.3	27.0
7005-12-L15-22	3/4	15	1-1/16-12	M22 x 1.5	15.5	12.0	45.0	27.0
7005-12-L18-26	3/4	18	1-1/16-12	M26 x 1.5	15.5	15.0	45.0	27.0
7005-12-L22-30	3/4	22	1-1/16-12	M30 x 2	15.5	19.0	42.9	32.0
7005-12-L28-36	3/4	28	1-1/16-12	M36 x 2	15.5	24.0	43.9	41.0