

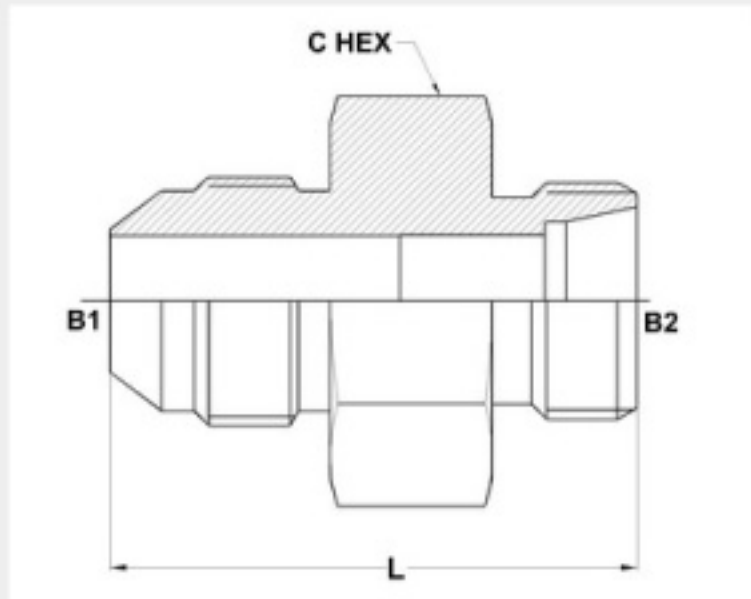
# INTERNATIONAL FITTINGS

## MJ-MM HEAVY METRIC (DUAL PURPOSE)

### 7005-S SERIES



**ORIENT ENGINEERING WORKS**



PART NO.SIZE	B1 TUBE O.D	B2 TUBE O.D	B1 JIC	B2 MM	B1 DRILL	B2 DRILL	L LGTH	C HEX
7005-04-S06-14	1/4	06	7/16-20	M14 x 1.5	4.4	4.0	32.0	14.0
7005-04-S08-16	1/4	08	7/16-20	M16 x 1.5	4.4	5.0	34.0	17.0
7005-06-S08-16	3/8	08	9/16-18	M16 x 1.5	7.5	5.0	33.7	17.0
7005-06-S10-18	3/8	10	9/16-18	M18 x 1.5	7.5	7.0	34.1	19.0
7005-06-S12-20	3/8	12	9/16-18	M20 x 1.5	7.5	8.0	36.1	22.0
7005-08-S08-16	1/2	08	3/4-16	M16 x 1.5	9.9	5.0	36.4	19.0
7005-08-S10-18	1/2	10	3/4-16	M18 x 1.5	9.9	7.0	36.4	19.0
7005-08-S12-20	1/2	12	3/4-16	M20 x 1.5	9.9	8.0	38.7	22.0
7005-08-S14-22	1/2	14	3/4-16	M22 x 1.5	9.9	10.0	40.7	24.0
7005-08-S16-24	1/2	16	3/4-16	M24 x 1.5	9.9	12.0	40.7	27.0
7005-10-S12-20	5/8	12	7/8-14	M20 x 1.5	12.3	8.0	40.5	24.0
7005-10-S16-24	5/8	16	7/8-14	M24 x 1.5	12.3	12.0	43.3	27.0
7005-12-S16-24	3/4	16	1-1/16-12	M24 x 1.5	15.5	12.0	47.0	27.0
7005-12-S20-30	3/4	20	1-1/16-12	M30 x 2	15.5	16.0	49.9	32.0