

FLARELESS BITE TYPE FITTINGS

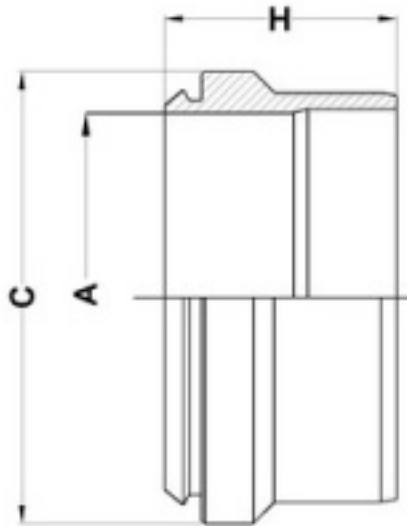
FERRULE

C0319 SERIES

SAE# 080115A / MS# 51825A



ORIENT ENGINEERING WORKS



PART NO. SIZE	TUBE O.D.	A	C	H
C0319-02	1/8	0.130	0.237	0.268
C0319-03	3/16	0.193	0.307	0.329
C0319-04	1/4	0.255	0.367	0.363
C0319-05	5/16	0.318	0.430	0.367
C0319-06	3/8	0.380	0.492	0.393
C0319-08	1/2	0.505	0.663	0.429
C0319-10	5/8	0.631	0.780	0.442
C0319-12	3/4	0.756	0.925	0.475
C0319-14	7/8	0.881	1.040	0.475
C0319-16	1	1.006	1.187	0.475
C0319-20	1-1/4	1.260	1.446	0.475
C0319-24	1-1/2	1.510	1.694	0.475
C0319-32	2	2.014	2.210	0.509