

FLARELESS BITE TYPE FITTINGS

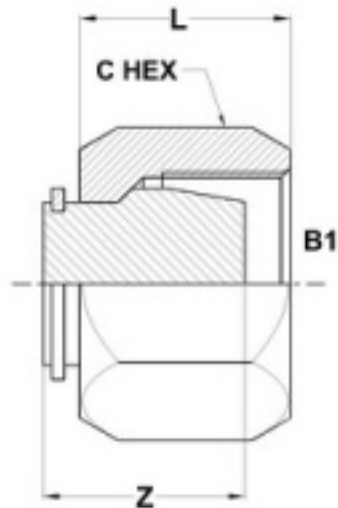
CAP NUT

C0304-C SERIES

SAE# 080112 / MS# 51590



ORIENT ENGINEERING WORKS



PART NO. SIZE	TUBE OD	THREA B1	L LGTH	Z LGTH	C HEX
C0304-C-02	1/8	5/16-24	0.53	0.58	0.375
C0304-C-04	1/4	7/16-20	0.70	0.72	0.562
C0304-C-05	5/16	1/2-20	0.72	0.74	0.625
C0304-C-06	3/8	9/16-18	0.75	0.77	0.688
C0304-C-08	1/2	3/4-16	0.84	0.93	0.875
C0304-C-10	5/8	7/8-14	0.92	0.94	1.000
C0304-C-12	3/4	1-1/16-12	0.97	0.93	1.250
C0304-C-16	1	1-5/16-12	1.05	1.08	1.500
C0304-C-20	1-1/4	1-5/8-12	1.05	1.19	2.000