

FLARELESS BITE TYPE FITTINGS

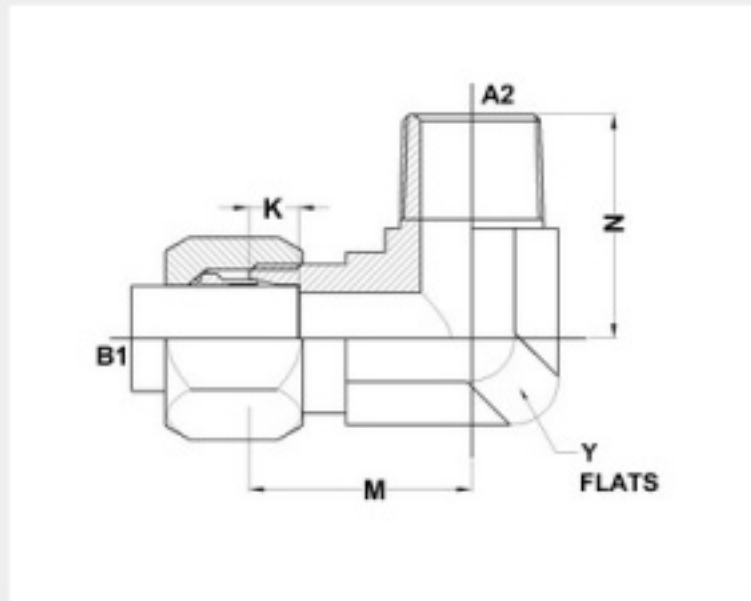
BT-MP-ELBOW 90°

C2501 SERIES

SAE# 080202 / MS#51815



ORIENT ENGINEERING WORKS



| PART NO.SIZE | TUBE O.D. | B1 THREAD | A2 NPTF | B1 DRILL | A2 DRILL | M LGTH | N LGTH | K DEPTH | Y FLATS |
|----------------|-----------|-----------|---------|----------|----------|--------|--------|---------|---------|
| C2501-02-02-FG | 1/8 | 5/16-24 | 1/8-27 | 0.093 | 0.188 | 0.77 | 0.72 | 0.188 | 0.438 |
| C2501-03-02-FG | 3/16 | 3/8-24 | 1/8-27 | 0.125 | 0.188 | 0.83 | 0.72 | 0.234 | 0.438 |
| C2501-04-02-FG | 1/4 | 7/16-20 | 1/8-27 | 0.203 | 0.188 | 0.89 | 0.78 | 0.234 | 0.438 |
| C2501-04-04-FG | 1/4 | 7/16-20 | 1/4-18 | 0.203 | 0.281 | 1.03 | 1.09 | 0.234 | 0.562 |
| C2501-04-06-FG | 1/4 | 7/16-20 | 3/8-18 | 0.203 | 0.406 | 1.12 | 1.22 | 0.234 | 0.750 |
| C2501-04-08-FG | 1/4 | 7/16-20 | 1/2-14 | 0.203 | 0.531 | 1.22 | 1.47 | 0.234 | 0.875 |
| C2501-05-02-FG | 5/16 | 1/2-20 | 1/8-27 | 0.234 | 0.188 | 0.95 | 0.81 | 0.250 | 0.562 |
| C2501-05-04-FG | 5/16 | 1/2-20 | 1/4-18 | 0.234 | 0.281 | 1.03 | 1.09 | 0.250 | 0.562 |
| C2501-06-02-FG | 3/8 | 9/16-18 | 1/8-27 | 0.281 | 0.188 | 1.05 | 0.90 | 0.250 | 0.562 |
| C2501-06-04-FG | 3/8 | 9/16-18 | 1/4-18 | 0.281 | 0.281 | 1.05 | 1.09 | 0.250 | 0.562 |
| C2501-06-06-FG | 3/8 | 9/16-18 | 3/8-18 | 0.281 | 0.406 | 1.14 | 1.22 | 0.250 | 0.750 |
| C2501-06-08-FG | 3/8 | 9/16-18 | 1/2-14 | 0.281 | 0.531 | 1.24 | 1.47 | 0.250 | 0.875 |
| C2501-08-04-FG | 1/2 | 3/4-16 | 1/4-18 | 0.422 | 0.281 | 1.25 | 1.22 | 0.305 | 0.750 |