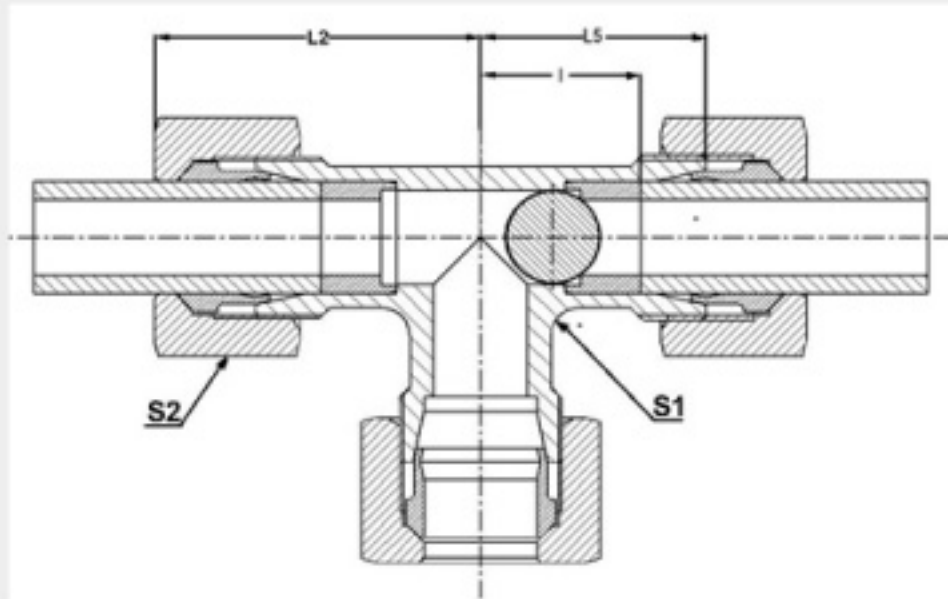


VALVES

SHUTTLE VALVE



ORIENT ENGINEERING WORKS



Type Designation	SERIES	PN bar(psi)	Tube OD	L5	L2	l	S1	S2
TWS 8L	L	250(3626)	8	21	29	14	14	17
TWS 10L	L	250(3626)	10	22	30	30	15	19
TWS 12L	L	250(3626)	12	24	32	32	17	22