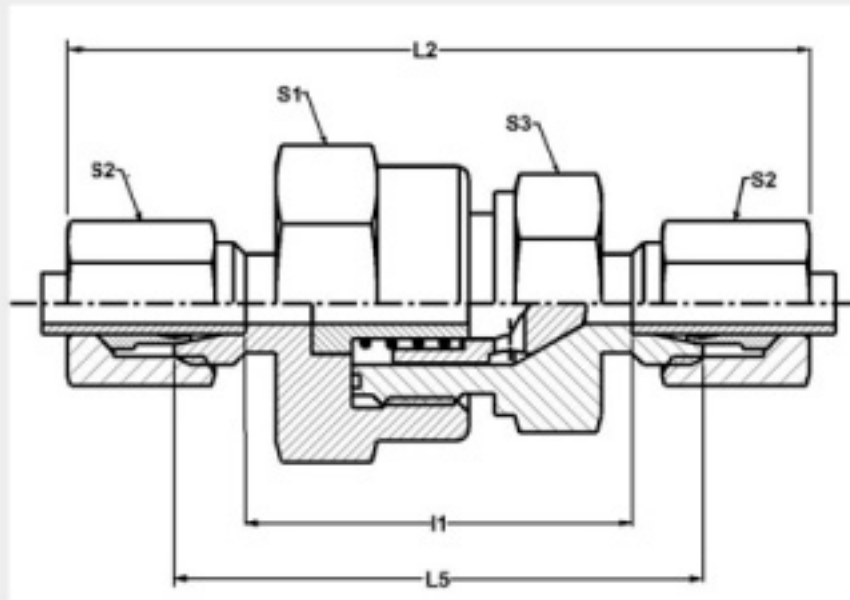


# VALVES

RHD



ORIENT ENGINEERING WORKS



Type Designation	SERIES	PN bar(psi)	Tube OD	kg per 100St. Kg per 100pcs. Kg par 100p.	L2	L5	I1	S1	S2	S3	Øentspr. Durchla beta Øoutlet Øde passage correspondant
RHD 6 L	L	400(5801)	6	12.0	67	52	38	22	14	27	4.0
RHD 8 L	L	400(5801)	8	12.5	67	52	38	22	17	27	6.0
RHD 10 L	L	400(5801)	10	11.5	67	52	38	22	19	27	7.5
RHD 12 L	L	400(5801)	12	12.5	68	53	39	22	22	27	7.5
RHD 15 L	L	400(5801)	15	18.5	74	58	44	27	27	32	11.0
RHD 18 L	L	400(5801)	18	23.0	80	63	48	27	32	32	11.0
RHD 22 L	L	250(3626)	22	51.1	92	75	60	41	36	46	18.5
RHD 28 L	L	250(3626)	28	57.0	99	81	66	41	41	46	18.5
RHD 35 L	L	250(3626)	35	130.5	114	92	71	60	50	70	29.0
RHD 42 L	L	250(3626)	42	123.4	101	87	65	60	60	70	29.0
RHD 6 S	S	400(5801)	6	13.0	71	56	42	22	17	27	4.0
RHD 8 S	S	400(5801)	8	12.0	67	52	38	22	19	27	5.0
RHD 10 S	S	400(5801)	10	13.0	71	54	39	22	22	27	7.0