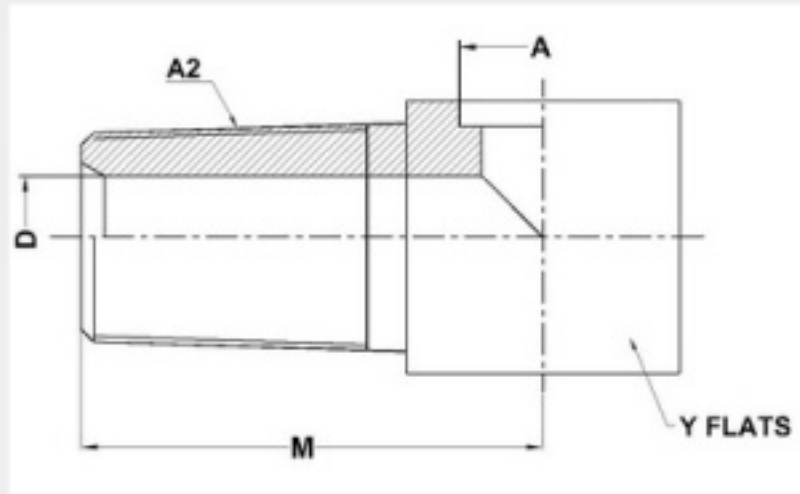


TUBE FITTINGS & ADAPTERS

**BORE-MP 90°
0501 SERIES**



ORIENT ENGINEERING WORKS



PART NO. SIZE	TUBE O.D.	A BORE	A2 NPTF	D DRILL	M LGTH	Y FLATS
0501-06-04	3/8	0.381	1/4-18	0.281	1.055	0.625