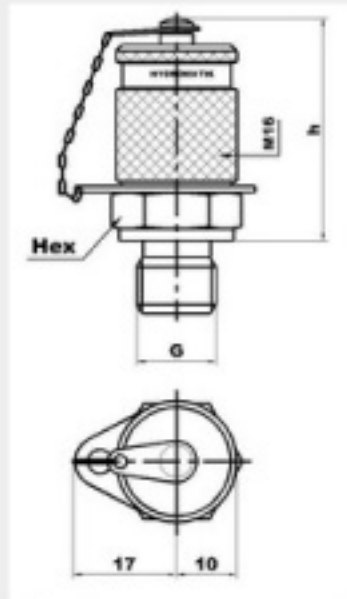


TEST POINTS COUPLINGS

TEST COUPLING WITH PROTECTIVE CAP - TC



ORIENT ENGINEERING WORKS



Part No NBR (N)	Part No VITON (V)	Thread G	Seal	Working Pressure	h	HEX
TC2000-M08X1-NA	TC2000-M08X1-VA	M 8 X 1	O' Ring Type 'A'	250 Bar	38	17
TC2000-M10X1-NA	TC2000-M10X1-VA	M 10 X 1	O' Ring Type 'A'	630 Bar	38	17
TC2000-M10X1-NB	TC2000-M10X1-VB	M 10 X 1	Metal Joint Type 'B'	400 Bar	37	17
TC2000-M12X1.5-NB	TC2000-M12X1.5-VB	M 12 X 1.5	Metal Joint Type 'B'	630 Bar	37	17
TC2000-M14X1.5-NB	TC2000-M14X1.5-VB	M 14 X 1.5	Metal Joint Type 'B'	630 Bar	37	19
TC2000-M16X1.5-NB	TC2000-M16X1.5-VB	M 16 X 1.5	Metal Joint Type 'B'	630 Bar	37	22
TC2000-G1/8-NB	TC2000-G1/8-VB	G 1/8	Metal Joint Type 'B'	400 Bar	39	17
TC2000-G1/4-NB	TC2000-G1/4-VB	G 1/4	Metal Joint Type 'B'	630 Bar	37	19
TC2000-G3/8-NB	TC2000-G3/8-VB	G 3/8	Metal Joint Type 'B'	630 Bar	37	22
TC2000-M10X1-NC	TC2000-M10X1-VC	M 10 X 1	Elastomeric Seal TYPE 'C'	400 Bar	39	17
TC2000-M12X1.5-NC	TC2000-M12X1.5-VC	M 12 X 1.5	Elastomeric Seal TYPE 'C'	630 Bar	37	17
TC2000-M14X1.5-NC	TC2000-M14X1.5-VC	M 14 X 1.5	Elastomeric Seal TYPE 'C'	630 Bar	37	19
TC2000-M16X1.5-NC	TC2000-M16X1.5-VC	M 16 X 1.5	Elastomeric Seal TYPE 'C'	630 Bar	37	22
TC2000-G1/8-NC	TC2000-G1/8-VC	G 1/8	Elastomeric Seal TYPE 'C'	400 Bar	39	17
TC2000-G1/4-NC	TC2000-G1/4-VC	G 1/4	Elastomeric Seal TYPE 'C'	630 Bar	37	19
TC2000-G3/8-NC	TC2000-G3/8-VC	G 3/8	Elastomeric Seal TYPE 'C'	630 Bar	37	22