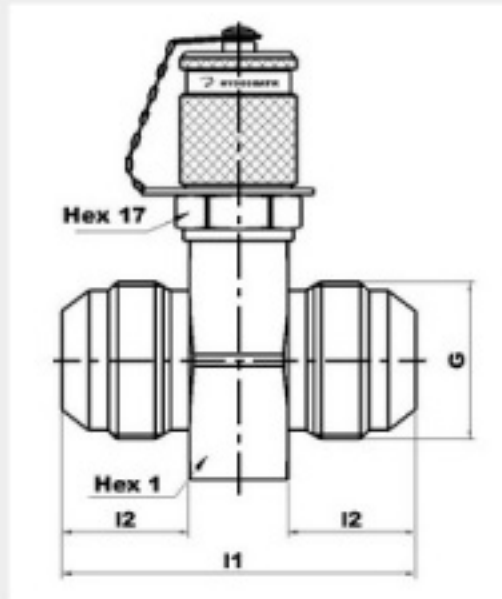


TEST POINTS COUPLINGS

TEST COUPLING TC2000 (37° JIC FITTING IN ACCORDANCE WITH SAE J514)



ORIENT ENGINEERING WORKS

Part No. NBR (N)	Part No. VITON (V)	Pipe OD Inch	JIC Size	Thread G	I1	I2	h	Hex 1
TC2000-JICG-04-N	TC2000-JICG-04-V	1/4	-4	7/16-20 UNF	43	14	61	24
TC2000-JICG-05-N	TC2000-JICG-05-V	5/16	-5	1/2-20 UNF	43	14	61	24
TC2000-JICG-06-N	TC2000-JICG-06-V	3/8	-6	9/16-18 UNF	43	14	61	24
TC2000-JICG-08-N	TC2000-JICG-08-V	1/2	-8	3/4-16 UNF	48.5	16.5	67	30
TC2000-JICG-10-N	TC2000-JICG-10-V	5/8	-10	7/8-14 UNF	53.5	19.5	67	30
TC2000-JICG-12-N	TC2000-JICG-12-V	3/4	-12	1 1/16-12 UN	59	22	73	36
TC2000-JICG-16-N	TC2000-JICG-16-V	1	-16	1 5/16-12 UN	61	23	78	41
TC2000-JICG-20-N	TC2000-JICG-20-V	1.1/4	-20	1 5/8-12 UN	65.5	24.5	83	46
TC2000-JICG-24-N	TC2000-JICG-24-V	1.1/2	-24	1 7/8-12 UN	72	27.5	92	55