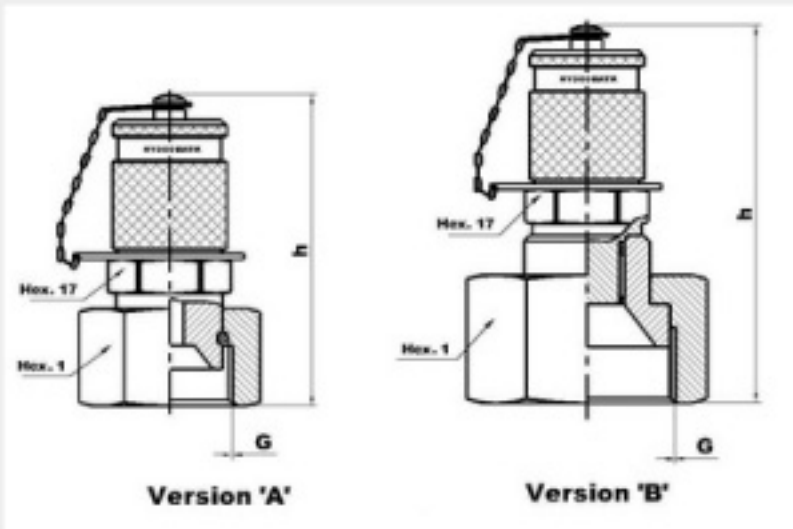


TEST POINTS COUPLINGS

TEST COUPLING TC2000 (37° JIC FITTING IN ACCORDANCE WITH SAE J514)



ORIENT ENGINEERING WORKS

PART No. NBR (N)	PART No. VITON (V)	Pipe OD Inch	JIC Size	Thread G	h	Hex 1	Hex 2	Version
TC2000-JIC04-N	TC2000-JIC04-V	1/4	-4	7/16-20 UNF	53	17	17	A
TC2000-JIC05-N	TC2000-JIC05-V	5/16	-5	1/2-20 UNF	53.5	17	17	A
TC2000-JIC06-N	TC2000-JIC06-V	3/8	-6	9/16-18 UNF	55.5	19	17	A
TC2000-JIC08-N	TC2000-JIC08-V	1/2	-8	3/4-16 UNF	56.5	22	19	A
TC2000-JIC10-N	TC2000-JIC10-V	5/8	-10	7/8-14 UNF	60	27	22	A
TC2000-JIC12-N	TC2000-JIC12-V	3/4	-12	1 1/16-12 UN	70.5	32	-	B
TC2000-JIC16-N	TC2000-JIC16-V	1	-16	1 5/16-12 UN	69	38	-	B
TC2000-JIC20-N	TC2000-JIC20-V	1.1/4	-20	1 5/8-12 UN	73.5	50	-	B
TC2000-JIC24-N	TC2000-JIC24-V	1.1/2	-24	1 7/8-12 UN	76	60	-	B