

## O-RING FACE SEAL FITTINGS

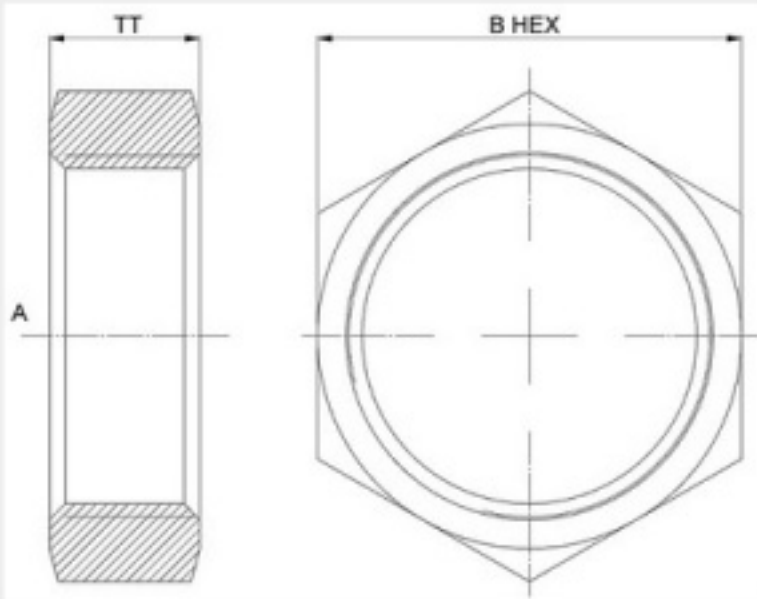
### BULKHEAD LOCK NUT

**FS0306 SERIES**

SAE# 520118



**ORIENT ENGINEERING WORKS**



PART NO. SIZE	TUBE O.D.	A THREAD	B HEX	TT WIDTH
FS0306-04	1/4	9/16-18	0.812	0.27
FS0306-06	3/8	11/16-16	1.000	0.31
FS0306-08	1/2	13/16-16	1.125	0.35
FS0306-10	5/8	1-14	1.312	0.41
FS0306-12	3/4	1-3/16-12	1.500	0.41
FS0306-16	1	1-7/16-12	1.750	0.41
FS0306-20	1-1/4	1 11/16-12	2.000	0.41
FS0306-24	1-1/2	2-12	2.375	0.41