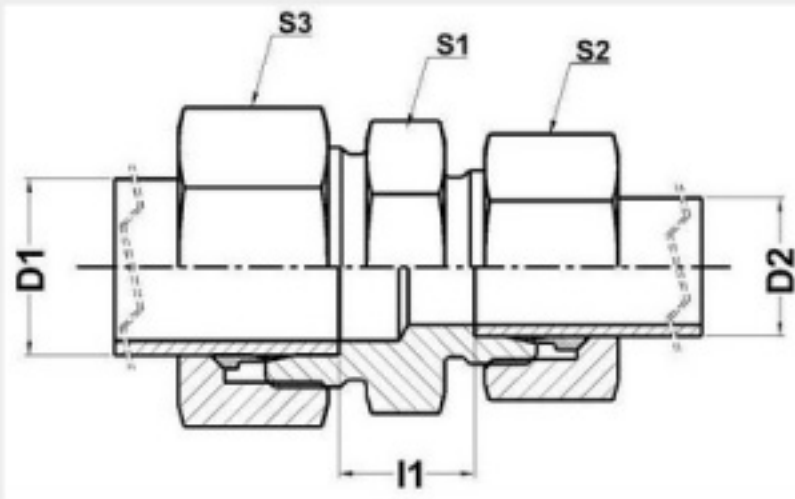


## METRIC BITE TYPE FITTINGS

### GR - STRAIGHT REDUCER



**ORIENT ENGINEERING WORKS**

Part No.	Series	Tube OD D1	Tube OD D2	I1	S1	S2	S3
GR 08/06 L	Light-250 Bar	8	6	11	14	14	17
GR 10/06 L	Light-250 Bar	10	6	12	17	14	19
GR 10/08 L	Light-250 Bar	10	8	12	17	17	19
GR 12/06 L	Light-250 Bar	12	6	13	19	14	22
GR 12/08 L	Light-250 Bar	12	8	13	19	17	22
GR 12/10 L	Light-250 Bar	12	10	14	19	19	22
GR 15/10 L	Light-250 Bar	15	10	15	24	19	27
GR 15/12 L	Light-250 Bar	15	12	15	24	22	27
GR 18/10 L	Light-160 Bar	18	10	15.5	27	19	32
GR 18/12 L	Light-160 Bar	18	12	15.5	27	22	32
GR 18/15 L	Light-160 Bar	18	15	16.5	27	27	32
GR 22/12 L	Light-160 Bar	22	12	17.5	32	22	36
GR 22/15 L	Light-160 Bar	22	15	18.5	32	27	36
GR 22/18 L	Light-160 Bar	22	18	18	32	32	36
GR 28/18 L	Light-100 Bar	28	18	19	41	32	41
GR 28/22 L	Light-100 Bar	28	22	21	41	36	41
GR 35/22 L	Light-100 Bar	35	22	21	46	36	50
GR 35/28 L	Light-100 Bar	35	28	21	46	41	50
GR 08/06 S	Heavy-630 Bar	8	6	18	17	17	19