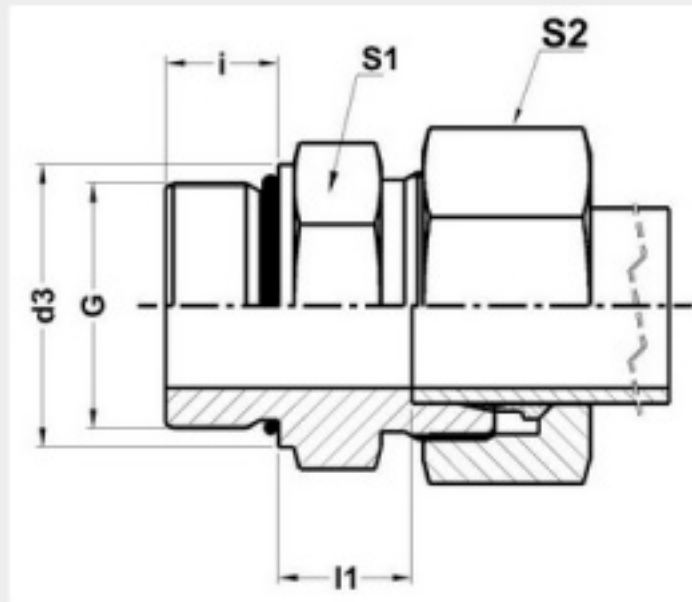


## METRIC BITE TYPE FITTINGS

### GEO- STRAIGHT MALE STUD COUPLING

Male Stud Threads: METRIC Threads with 'O' Ring Sealing



**ORIENT ENGINEERING WORKS**

Part No.	Series	Tube OD	G	d3	i	l1	S1	S2	O' Ring
GEO 06-LM	Light-250 Bar	6	M10 X 1	-	8.5	9.5	14	14	8.2 X 1.5
GEO 08-LM	Light-250 Bar	8	M12 X 1.5	-	11	10	17	17	9.4 X 2.1
GEO 10-LM	Light-250 Bar	10	M14 X 1.5	-	11	11	19	19	11.4 X 2.1
GEO 12-LM	Light-250 Bar	12	M16 X 1.5	-	11.5	12.5	22	22	13.4 X 2.1
GEO 15-LM	Light-250 Bar	15	M18 X 1.5	-	12.5	13.5	24	27	15.4 X 2.1
GEO 18-LM	Light-160 Bar	18	M22 X 1.5	-	13	14.5	27	32	19.4 X 2.1
GEO 22-LM	Light-160 Bar	22	M26 X 1.5	36	16	16	32	36	22.7 X 2.8
GEO 28-LM	Light-100 Bar	28	M33 X 2.0	38	16	17.5	41	41	29.7 X 2.8
GEO 35-LM	Light-100 Bar	35	M42 X 2.0	48	16	17.5	50	50	38.7 X 2.8
GEO 06-SM	Heavy-630 Bar	6	M12 X 1.5	-	12	12	17	17	9.4 X 2.1
GEO 08-SM	Heavy-630 Bar	8	M14 X 1.5	-	11	15	19	19	11.4 X 2.1
GEO 10-SM	Heavy-630 Bar	10	M16 X 1.5	-	12.5	15	22	22	13.4 X 2.1
GEO 12-SM	Heavy-630 Bar	12	M18 X 1.5	-	14	17	24	24	15.4 X 2.1
GEO 16-SM	Heavy-400 Bar	16	M22 X 1.5	-	15	18.5	27	30	19.4 X 2.1
GEO 20-SM	Heavy-400 Bar	20	M27 X 2.0	-	18.5	20.5	32	36	23.7 X 2.8