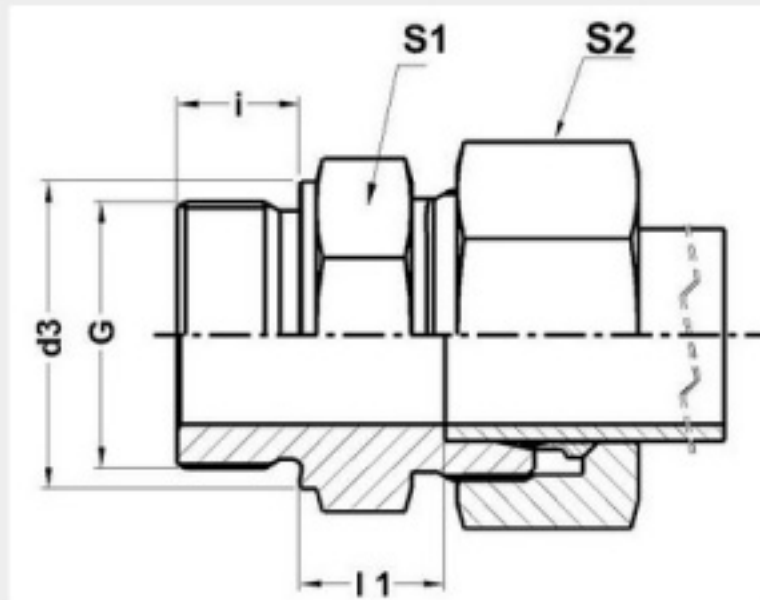


METRIC BITE TYPE FITTINGS

GE-SR - STRAIGHT MALE STUD COUPLING

Male Stud Thread G - BSP; BSP Threads Parallel Form 'A'; (On Request Form 'B' also Available)



ORIENT ENGINEERING WORKS

Part No.	Series	Tube OD	l1	i	S2	S1	d3	G
GE 06 SR	Heavy-630 Bar	6	13	12	17	19	18	G 1/4
GE 08 SR	Heavy-630 Bar	8	15	12	19	19	18	G 1/4
GE 10 SR	Heavy-630 Bar	10	15	12	22	22	22	G 3/8
GE 12 SR	Heavy-630 Bar	12	17	12	24	22	22	G 3/8
GE 14 SR	Heavy-400 Bar	14	19	14	27	27	26	G 1/2
GE 16 SR	Heavy-400 Bar	16	18.5	14	30	27	26	G 1/2
GE 20 SR	Heavy-400 Bar	20	20.5	16	36	32	32	G 3/4
GE 25 SR	Heavy-400 Bar	25	23	18	46	41	39	G 1
GE 30 SR	Heavy-250 Bar	30	23.5	20	50	50	49	G 1.1/4
GE 38 SR	Heavy-250 Bar	38	26	22	60	55	55	G 1.1/2

DIMENSIONS GIVEN APPROX. FIG. WITH TIGHTENED NUT.

PART NO. GIVEN REFERES TO COMPLETE ASSEMBLY - STEEL PART