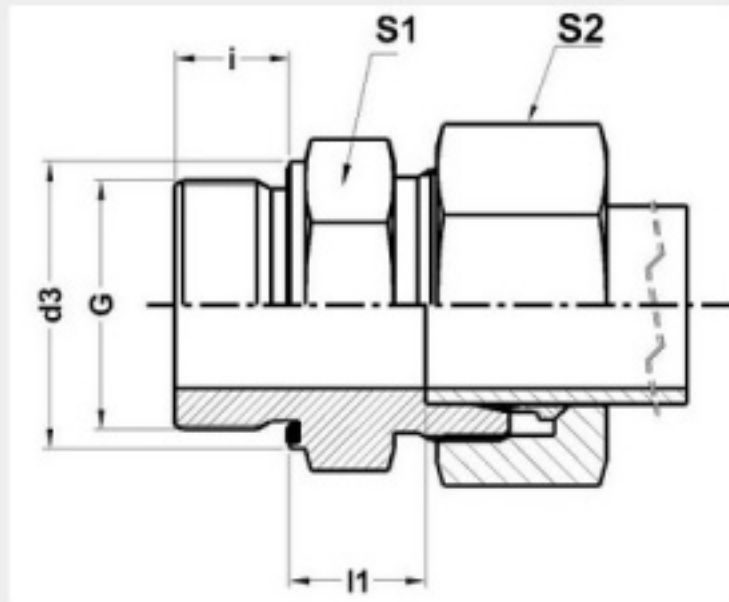


METRIC BITE TYPE FITTINGS

GE-M-ED - STRAIGHT MALE STUD COUPLING

Male Stud Thread METRIC (Parallel) With Elastomeric Seal



ORIENT ENGINEERING WORKS

Part No.	Series	Tube OD	l1	i	S2	S1	d3	G
GE 06-LM-ED	Light-315 Bar	6	8.5	8	14	14	14	M10 X 1.0
GE 08-LM-ED	Light-315 Bar	8	10	12	17	17	17	M12 X 1.5
GE 10-LM-ED	Light-315 Bar	10	11	12	19	19	19	M14 X 1.5
GE 12-LM-ED	Light-315 Bar	12	12.5	12	22	22	22	M16 X 1.5
GE 12-LM-ED	Light-315 Bar	12	12.5	12	22	24	23.9	M18 X 1.5
GE 12-LM-ED	Light-315 Bar	12	14	14	22	27	27	M22 X 1.5
GE 15-LM-ED	Light-315 Bar	15	13.5	12	27	24	23.9	M18 X 1.5
GE 15-LM-ED	Light-315 Bar	15	15	14	27	27	27	M22 X 1.5
GE 18-LM-ED	Light-160 Bar	18	14.5	14	32	27	27	M22 X 1.5
GE 22-LM-ED	Light-160 Bar	22	16.5	16	36	32	32	M26 X 1.5
GE 28-LM-ED	Light-100 Bar	28	17.5	18	41	41	40	M33 X 2.0
GE 35-LM-ED	Light-100 Bar	35	17.5	20	50	50	50	M42 X 2.0
GE 42-LM-ED	Light-100 Bar	42	19	22	60	55	55	M48 X 2.0
GE 06-SM-ED	Heavy-630 Bar	6	13	12	17	17	17	M12 X 1.5
GE 08-SM-ED	Heavy-630 Bar	8	15	12	19	19	19	M14 X 1.5